
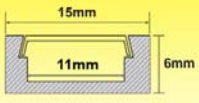

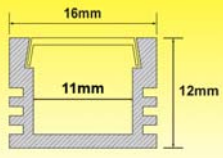

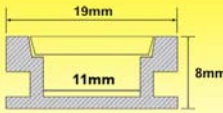

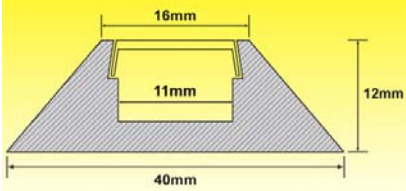

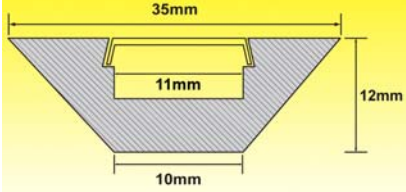
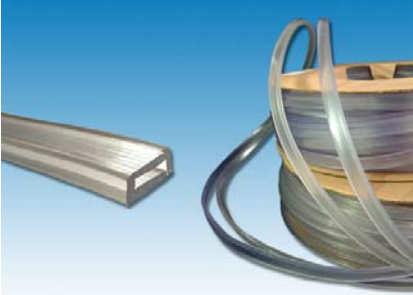
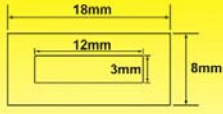


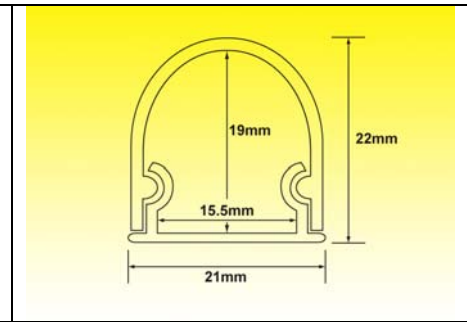

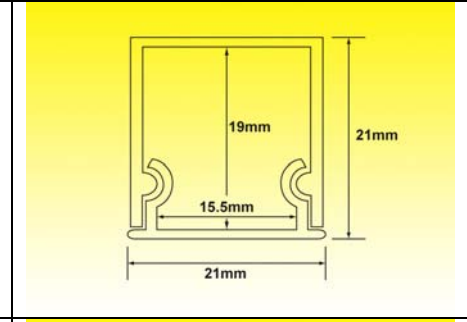

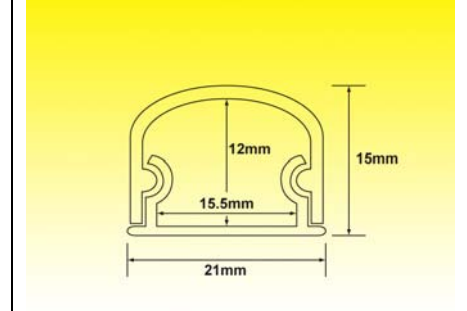






PROFILE/EXTRUSION

| | | |
|--|--|--|
|  |  | <p>ALU1. Ideal for Flexi-strip or rigid bars.</p> <p>If you have limited space to use this slender profile is ideal to meet the solution.</p> <ul style="list-style-type: none"> Aluminium profile with clear or opaque cover Dms: 6x15x1000mm (1M lengths only) P/N. P/ALU1/6X15/CLR or OPQ |
|  |  | <p>ALU2. Ideal for Flexi-strip or rigid bars</p> <p>Elegant looking profile ideal for most solutions.</p> <ul style="list-style-type: none"> Aluminium profile with clear or opaque cover Dms: 12x16x1000mm (1M lengths only) P/N. P/ALU2/12X16/CLR or OPQ |
|  |  | <p>ALU3. Ideal for Flexi-strip or rigid bars</p> <p>This slender profile is ideal to create light bar effect.</p> <ul style="list-style-type: none"> Aluminium profile with opaque cover only Dms: 8x19x1000mm (1M lengths only) P/N. P/ALU3/8X19/OPQ |
|  |  | <p>TRAPEZIUM. Ideal for Flexi-strip or rigid bars</p> <p>Another good all round profile bar designed for widespread applications and situations.</p> <ul style="list-style-type: none"> White MDF profile with clear or opaque cover Dms: 12x40x1000mm (1M lengths only) P/N. P/MDF/TRA/CLR or OPQ |
|  |  | <p>TRIANGLE. Ideal for Flexi-strip or rigid bars</p> <p>Designed for setting in cornices, it's ideal for cabinets and edging</p> <ul style="list-style-type: none"> White MDF profile with clear or opaque cover Dms: 12x35x1000mm (1M lengths only) P/N. P/MDF/TRI/CLR or OPQ |
|  | <p>Single</p>  <p>RGB</p>  | <p>FLEXIBLE PLASTIC. Ideal for Flexi-strip</p> <ul style="list-style-type: none"> Both types sold in 1M lengths Type for Single colour Dms: 8x18mm P/N. LD/PSLOO Type for RGB colour Dms: 7x23mm P/N. LD/PSLO1 |

PROFILE

| | | |
|---|--|--|
|  |  | <p>ALU4. Ideal for Flexi-strip or rigid bars</p> <p>Designed to emulate fluorescent tube situations</p> <ul style="list-style-type: none"> Aluminium profile with opaque arched cover Dms: 22x21x1000mm (1M lengths only) P/N. P/ALU4/22X21/OPQ |
|  |  | <p>ALU5. Ideal for Flexi-strip or rigid bars</p> <p>Designed to emulate fluorescent tube situations</p> <ul style="list-style-type: none"> Aluminium profile with opaque square cover Dms: 21x21x1000mm (1M lengths only) P/N. P/ALU5/21X21/OPQ |
|  |  | <p>ALU6. Ideal for Flexi-strip or rigid bars</p> <p>Designed to show off LED strip lighting at a budget</p> <ul style="list-style-type: none"> Aluminium profile with clear arched cover Dms: 15x21x1000mm (1M lengths only) P/N. P/ALU6/15X21/CLR |

DRIVERS

| | Part Number | Input | Output | Max Watts | Dms in mm | Weight |
|--|---|--|--|---|--|--|
|  | LD/MINILED 12V DC | 90-264V ac | 12V DC | 15W | H28 x W38 x L110 | 100g |
|  | LD/ELN/12V/30W/D LD/ELN/12V/60W/D (These are dimmable) Use either 1-10VDC or PWM controlled dimmer | 90-264V ac 90-264V ac | 3-12V DC 3-12V DC | 30W 60W | H35 x W62 x L181 H35 x W62 x L181 | 400g 400g |
|  | LD/PTDC/60/12V5A | 100-240V ac | 12V DC | 60W | H30 x W50 x L116 | 230g |
|  | LD/PDC/12VDC/60W LD/PDC/12VDC/100W LD/PDC/12VDC/150W LD/PDC/12VDC/200W LD/PDC/12VDC/320W LD/PDC/12VDC/500W | 85-264V ac 85-264V ac 85-264V ac 85-264V ac 88-264V ac 88-264V ac | 12V DC 12V DC 12V DC 12V DC 12V DC 12V DC | 60W 100W 150W 200W 320W 500W | H38 x W97 x L129 H38 x W98 x L199 H50 x W110 x L199 H50 x W115 x L215 H50 x W115 x L215 H93 x W120 x L170 | 545g 715g 820g 850g 1166g 1938g |