

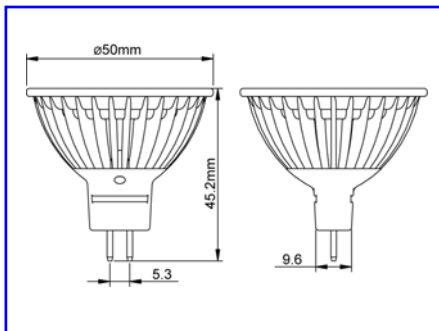


Specification Sheet

Nov 2008

MR16 High Power 3W LED

3W MR16



Technical Data

- Voltage: 12V DC
- LEDs are wired in series connection
- LED type white and warm white: 1 x 3W CREE chip
- LED type amber, green, blue and red: 1 x 3W XR CREE LED
- Power consumption 4.0W
- Current: 330-360ma
- Base: GU5.3
- Housing: Die cast aluminum alloy
- Lens: PMMA
- Metal top acts as heat sink
- Dimensions: Approx. 50mm x 45.2mm
- Lens available: 16° or 40° (both with flat lens)
- LED colour: Cool White = 5000-8000K
- LED colour: Warm White = 2800-3800K
- Lumens per watt: Cool White = 80-110 lm
- Lumens per watt: Warm White = 80lm
- Operating temperature: -20°C to 60°C (-4°F TO 132°F)
- Average rated life: 30,000 - 50,000 hours
- Coloured lamps available: Amber 585-595nm, Blue 465-475nm, Green 520-535nm & Red 620-635nm
- CE and RoHS Compliant
- Not dimmable



Warning. Please ensure this product is used with a dedicated Direct Current LED power supply rated 12VDC. Do not use with an electronic or toroidal (wire wound) transformer that suit 12V low voltage halogen lamps. If you do it may cause the LED lamp to flicker, overheat, overrun and most likely to damage it beyond repair.

	Lux Level @ 0.5M	Lux Level @ 1M	Lux Level @ 2M	Lux Level @ 3M
16° Spot	2350 lux	1077 lux	233 lux	72 lux
40° Flood	1565 lux	419 lux	108 lux	49 lux

P/N. LD/PDC/12/10 (10W max power)
Input 220-240V. Output 12Vdc.



P/N. LD/PTDC/12/6 (6W max power)
Input 100-240V. Output 12Vdc.



LD/MINILED 12VDC (15W max power)
Input 90-264V. Output 12Vdc.



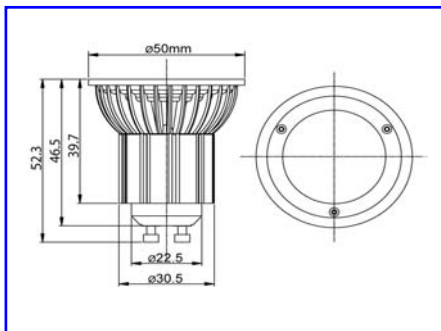


Specification Sheet

Nov 2008

GU10 High Power 3W LED

3W GU10



GU10 3W 110-240V

- Voltage: 110-240V AC
- LED type white and warm white: 1 x 3W CREE chip
- LED type amber, green, blue and red: 1 x 3W XR CREE LED
- Power consumption 4.0W
- Current: 18mA
- Base: GU10
- Housing: Die cast aluminum alloy
- Lens: PMMA
- Metal top acts as heat sink
- Dimensions: Approx. 50mm x 52.3mm
- Lens available: 16° or 40° (both with flat lens)
- LED colour: Cool White = 5000-8000K
- LED colour: Warm White = 2800-3800K
- Lumens per watt: Cool White = 80-110 lm
- Lumens per watt: Warm White = 60lm
- Operating temperature: -20°C to 60°C (-4°F TO 132°F)
- Average rated life: 30,000 - 50,000 hours
- Coloured lamps available: Amber 585-595nm, Blue 465-475nm, Green 520-535nm & Red 620-635nm
- CE and RoHS Compliant
- Not dimmable



	Lux Level @ 0.5M	Lux Level @ 1M	Lux Level @ 2M	Lux Level @ 3M
16° Spot	5887 lux	1491 lux	386 lux	189 lux
40° Flood	1027 lux	270 lux	74 lux	35 lux



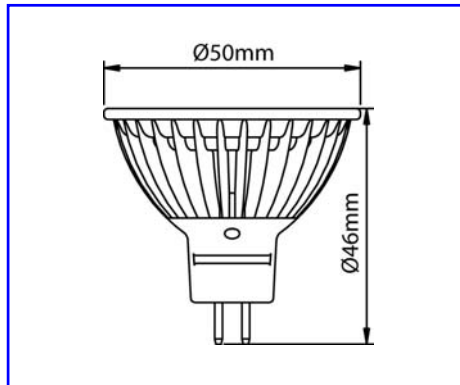


Specification Sheet

Feb 2009

MR16 High Power 3x1.4W LED

5W MR16



Technical Data

- Voltage: 12V DC
- LEDs are wired in series connection
- LED type white and warm white: 3 x 1.4W CREE chip
- Power consumption 4.2W
- Current: 500ma
- Base: GU5.3
- Housing: Die cast aluminum alloy
- Lens: PMMA
- Metal top acts as heat sink
- Dimensions: Approx. 50mm x 46mm
- Beam angle: 40° (with flat lens)
- LED colour: Cool White = 5000-8000K
- LED colour: Warm White = 2800-3800K
- Lumens per watt: Cool White = 190-210lm
- Lumens per watt: Warm White = 120-130lm
- Operating temperature: -20°C to 60°C (-4°F TO 132°F)
- Average rated life: 30,000 hours
- CE and RoHS Compliant
- Not dimmable



Warning. Please ensure this product is used with a dedicated Direct Current LED power supply rated 12VDC. Do not use with an electronic or toroidal (wire wound) transformer that suit 12V low voltage halogen lamps. If you do it may cause the LED lamp to flicker, overheat, overrun and most likely to damage it beyond repair.

	Lux Level @ 0.5M	Lux Level @ 1M	Lux Level @ 2M	Lux Level @ 3M
40° Warm White	1010 lux	275 lux	65 lux	30 lux
40° Cool White	1520 lux	425 lux	95 lux	42 lux

P/N. LD/PTDC/12/6 (6W max power)
Input 100-240V. Output 12Vdc. 500ma
Uses 1pc 3x1.4W LED lamp

P/N. LD/PDC/12/10 (10W max power)
Input 220-240V. Output 12Vdc. 820ma
Uses 2pcs 3x1.4W LED lamp

LD/MINILED 12VDC (15W max power)
Input 90-264V. Output 12Vdc.
Uses 3pcs 3x1.4W LED lamp



MGC Lamps Ltd, 1 Sovereign Centre, Farthing Road, Ipswich, Suffolk IP1 5AP
 UK Sales - Tel: 01473 466300 Fax: 01473 240081 Email: uksales@mgc-lamps.com
 Export Sales - Tel +44 1473 462321 Fax: +44 1473 240081 Email: exportsales@mgc-lamps.com
www.mgc-lamps.com



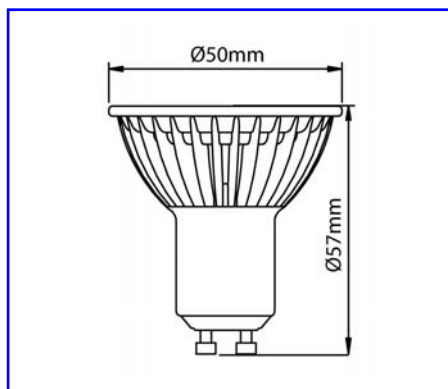


Specification Sheet

Feb 2009

GU10 High Power 3x1.4W LED

5W GU10



GU10 3x1.4W 110-240V

- Voltage: 110-240V AC
- LED type white and warm white: 3 x 1.4W CREE chip
- Power consumption 4.2W
- Current: 36mA
- Base: GU10
- Housing: Die cast aluminum alloy
- Lens: PMMA
- Metal top acts as heat sink
- Dimensions: Approx. 50mm x 57mm
- Beam angle: 40° (with flat lens)
- LED colour: Cool White = 5000-8000K
- LED colour: Warm White = 2800-3800K
- Lumens per watt: Cool White = 180-200lm
- Lumens per watt: Warm White = 110-120lm
- Operating temperature: -20°C to 60°C (-4°F TO 132°F)
- Average rated life: 30,000 hours
- CE and RoHS Compliant
- Not dimmable



	Lux Level @ 0.5M	Lux Level @ 1M	Lux Level @ 2M	Lux Level @ 3M
40° Warm white	950 lux	260 lux	60 lux	25 lux
40° Cool white	1360 lux	310 lux	74 lux	30 lux

